


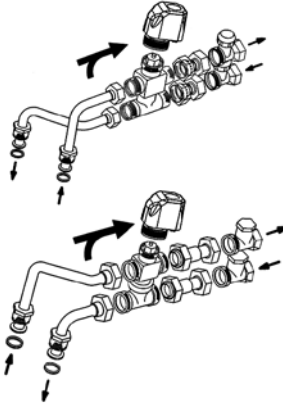
ON-OFF valves with thermoelectric actuator

VALVE WITH MICROMETRIC LOCKSHIELD VALVE

**3 ways**




**SK 02-04**  
**SK 12-14**  
**SK 22-24-26**  
**SK 32-34-36**

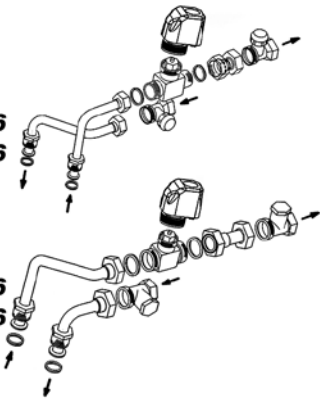


**SK 42-44**  
**SK 52-54-56**  
**SK 62-64-66**

**2 ways**




**SK 02-04**  
**SK 12-14**  
**SK 22-24-26**  
**SK 32-34-36**



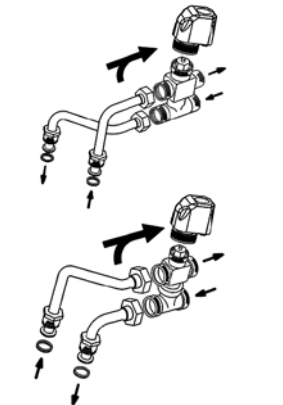
**SK 42-44**  
**SK 52-54-56**  
**SK 62-64-66**

VALVE WITH SIMPLIFIED KIT

**3 ways**




**SK 02-04**  
**SK 12-14**  
**SK 22-24-26**  
**SK 32-34-36**

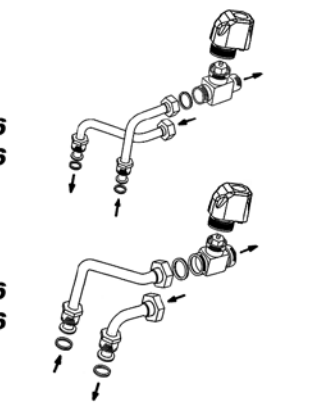


**SK 42-44**  
**SK 52-54-56**  
**SK 62-64-66**

**2 ways**



**SK 02-04**  
**SK 12-14**  
**SK 22-24-26**  
**SK 32-34-36**



**SK 42-44**  
**SK 52-54-56**  
**SK 62-64-66**

Technical data:

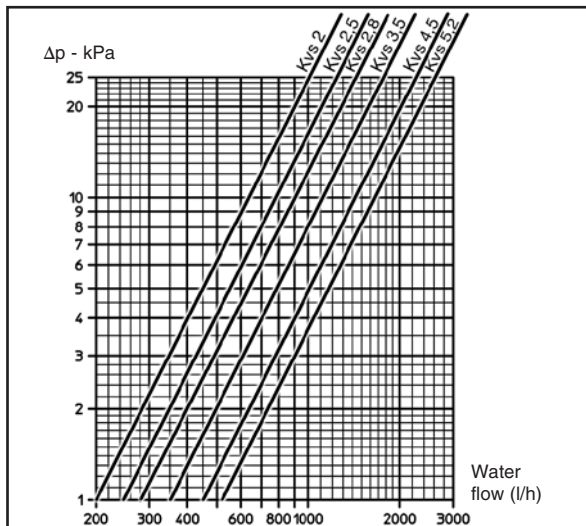
Rated pressure:	16 bar
Max. ambient temperature:	50 °C
Max. water flow temperature:	110 °C
Power:	230 V - 50/60 Hz
Rating:	3 VA
Protection:	IP 43
Travel time:	approx. 3 min.
Max. glycol content of water:	50%

Valves characteristics

Battery type	Model	2 way valves			3 way valves		
		K <sub>vs</sub> m <sup>3</sup> /h	Δp <sub>max</sub> kPa *	Valve ** connection	K <sub>vs</sub> m <sup>3</sup> /h	Δp <sub>max</sub> kPa *	Valve ** connection
Main	<b>02-12-22-32</b>	2,8	50	3/4"	2,5	50	3/4"
	<b>04-14-24-26-34-36</b>						
	<b>42-52-62</b>	5,2	60	1"			
Auxiliary	<b>44-54-56-64-66</b>	2,8	50	3/4"	2,5	50	3/4"
	<b>44-54-56-64-66</b>						

\* maximum pressure difference for valve to close    \*\* external thread, flat seal  
 Note: 3 way valves with simplified kit and 1" connection have conical seal.

Valves pressure drop



Valve set, 2 or 3 ways, ON-OFF, with thermoelectric actuator. The set includes connection pipes.

**Note:** The main battery lockshield valve connection is 1/2" female (Kvs 2) for SK0 - SK1 - SK2 - SK3 sizes and 3/4" female (Kvs 3,5) for SK4 - SK5 - SK6 sizes, the auxiliary battery valve connection is 1/2" female (Kvs 2).

**Note:** The maximum pressure drop across the fully open valve should not exceed 25 kPa for cooling operation and 15 kPa for heating operation.